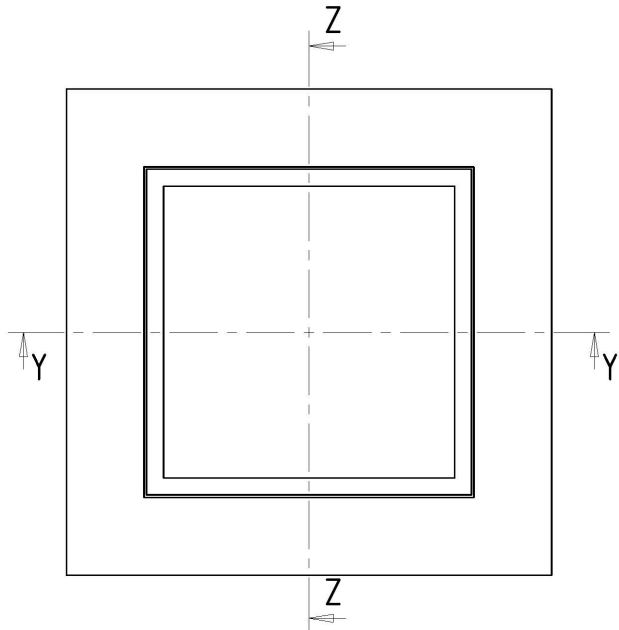


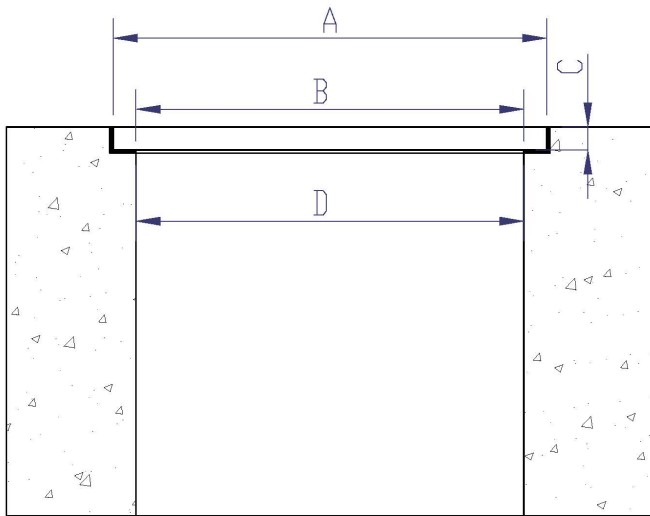
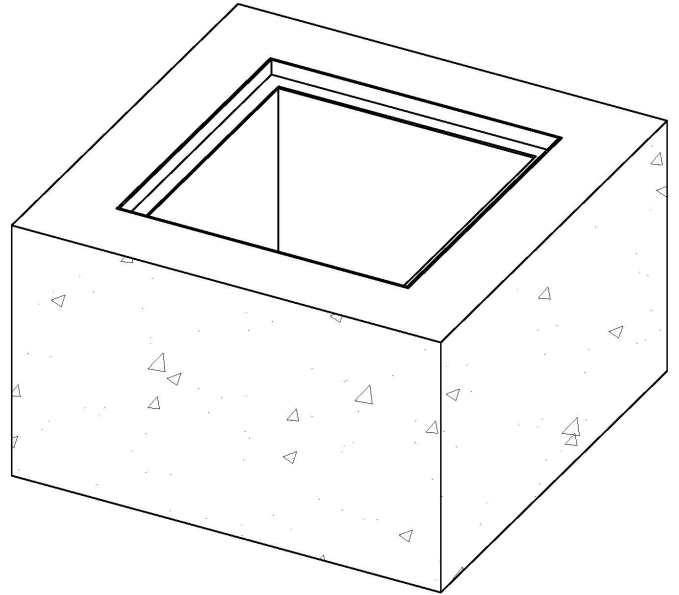
PHOENIX IRON WORKS

Contact Carol Russell at (510) 465-9900

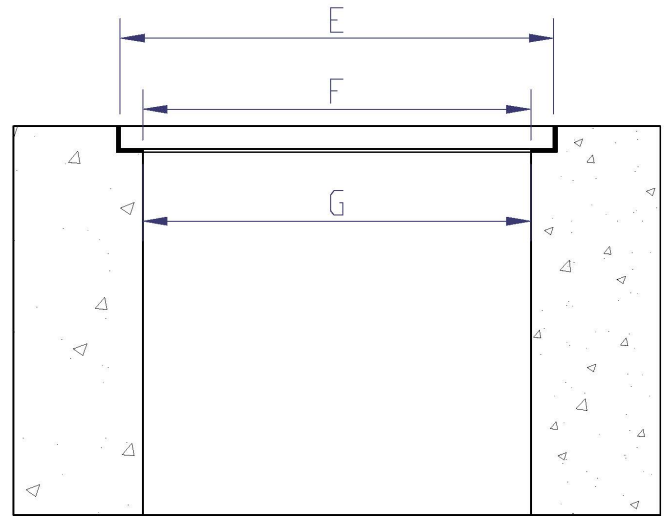
RECTANGULAR FRAME MEASUREMENT SHEET



TOP VIEW



SECTION Y-Y



SECTION Z-Z

MEASUREMENTS

NOTE: CONCRETE BY OTHERS

A:	F:	NAME:
B:	G(if different than F):	COMPANY NAME:
C:	PREFERRED FINISH:	DATE:
D(if different than B):	BAR SPECS: (ADA, BIKE-PROOF, TRAFFIC, HIGH HEEL, PARKWAY)	
E:		